

USEFUL TIPS

- Make sure to sharpen the blade between each removal with an SFE329 Blade Sharpener. A dull blade can cause damage to the tool. Use caution.
- Use water as a cutting lubricant on the cutting area and blade.
- To keep the sheath cool, apply a small amount of 4237 High Heat Grease to the blade shaft. This will add life to the sheath and the blade.
- Use caution to not hit the pinchweld, doing so will cause damage to your tool.
- For optimal results fully charge 20V battery before use.
- To attach your battery, gently slide the DeWalt battery into the tool until you hear it click into place.
- Li-Ion tools are designed with an Electronic Protection System (EPS) that will protect the battery pack against overloading, overheating or deep discharge. If the EPS engages the tool to automatically turn off. If this occurs, place the battery on the charger until it is fully charged.



USER GUIDE

BH2019 Includes:

- 1 • Equalizer® BlackHawk™ 20-Amp brushless motor tool
 - 1 • FSG130 • Kool Safety Glasses
 - 1 • LBE1402 • Express 3" x 12" Blade
 - 1 • DCB115 • DeWalt 120 Volt Charger for 20V tool
 - 1 • DCB205 • DeWalt 20-Volt Battery
- All packaged in a soft case with a foam liner

Specifications:

Power Source: 20 Volts
 Output: 20-Volt Battery
 Tool Weight (w/ battery): 6 lbs.
 Strokes Per Minute: 0-2,800



INSTRUCTIONS

Scan for Instructional Video

BEFORE YOU BEGIN CUTTING

Spray the entire cutting area and blade with plenty of water. Lubrication is vital for maximum cutting ease. Failure to use water increases cutting friction and will cause tool damage. Periodically spray the blade with water. To prevent potential rust caused by water droplets, place a few drops of oil into the sheath every day and allow it to run down in the blade holder.

REMOVAL OF GLASS

Start cutting from the inside top center of the glass and cut toward the A-pillars. Keep the blade properly orientated and flat against the glass. Reverse and cut from the top center of the glass toward the other A-pillar. Relax and let the tool do the work. After the sides are loose, cut the bottom of the glass loose, utilizing one or a combination of two cutting methods:

1. **Plunge Cut-** Cut Straight down, move over three inches and repeat this process until finished cutting.
2. **Angle Cut-** Turn the tool at roughly a 45° angle and cut along the bottom until finished.

*In some cases, you can work from the outside of the vehicle.



SAFETY INFORMATION

- Always wear safety gloves when using any Equalizer® auto glass cut-out knife.
- Do not activate Equalizer® tools until they are in the cutting position. Disengage the tool and let it stop before taking it out of the urethane.
- The blade is sharp and can cut even when the tool is not running.
- Do not force the tool. Put light forward pressure on the tool. Let it do the work.
- Consider your work environment. Do not use in or expose power tools to rain or damp weather.
- Do not lay tool on the dash, the blade and sheath can be hot after use and could damage the dash.
- Unplug from power source before servicing and when changing accessories.

CHANGING THE BLADE

The blade is installed by lifting the quick connect lever, fully inserting the shaft of the blade into the sheath, and pressing the quick connect lever back down.



CHANGING THE SHEATH

1. Loosen the screws with a 3/16" hex wrench.
2. Make note of the built-in sheath stop located at the back of the sheath holder.
3. Remove the old sheath.
4. Insert the new sheath until it touches the stop, but DO NOT insert the sheath past the stop!

*Note that the sheath is not adjustable.

WARRANTY TERM

Equalizer® BlackHawk™ is warranted for ONE year to be free of factory defects from the date of purchase.

WHAT IS COVERED

Equalizer® warrants this product is free from defects in materials and workmanship when used for the purpose intended, under normal conditions, and provided it receives the proper care and maintenance as described in this User Guide.

This warranty is good only for authentic, original, legitimate tools manufactured by Equalizer® and sold through Authorized Distributors or from Equalizer®.

WHAT IS NOT COVERED

- Abuse, misuse, normal wear and tear to tool or accessories.
- Damage due to repairs being made by unauthorized persons.
- Damage caused by not keeping blades sharp, using blade past the "DO NOT SHARPEN BELOW THIS LINE", and not replacing damaged blades and sheaths.
- Using blades and sheaths not sold or manufactured by Equalizer®.
- Using batteries other than the DeWalt® (DCB205) 20-Volt battery.

WARRANTY INFORMATION

WARRANTY CLAIMS

Equalizer® will repair or replace, at our discretion, any defective part. Our goal is for tools to be repaired and sent back the same day they are received.

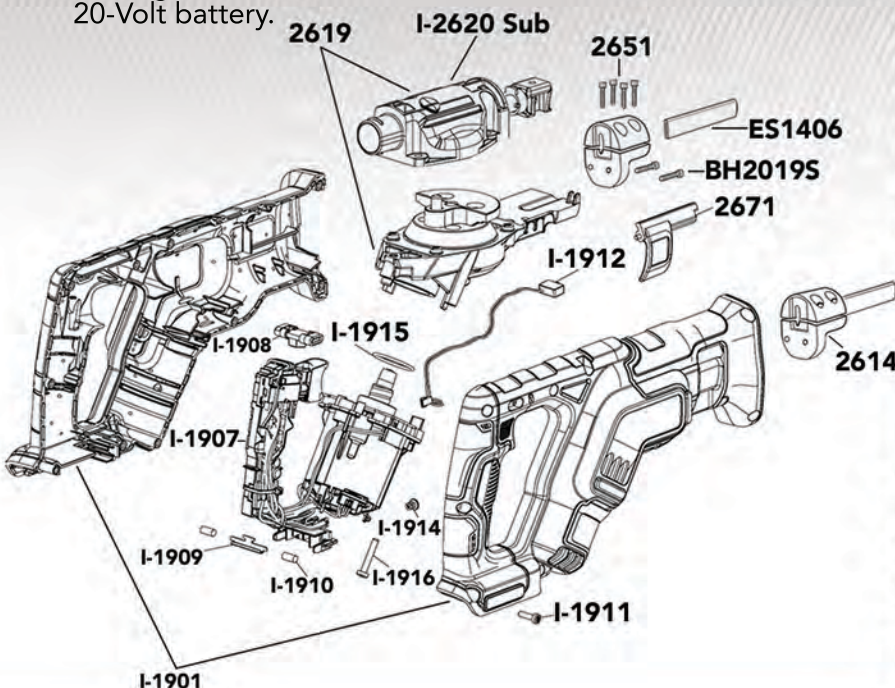
Equalizer® reserves the right to refuse repair, at our expense, any tool which has not been properly maintained as specified in the User Guide and Warranty Section.

To send in your tool for repair, contact Equalizer® to receive a RMA number. If you have any questions about your tool call us at 512.388.7715, or email sales@equalizer.com.

**Please send the entire tool to:
Equalizer®**

**Attention: Repair Department/ RMA# _____
2611 Oakmont Drive Round Rock, TX 78665 USA**

Scan to Request an RMA
for Tool Repair



Part No.	Description	QTY
2651	Sheath Clamp Screws (set of 4)	1 set
2619	Gear Case Assembly	1
2671	Blade Release Latch	1
BH2019S	Base Mounting Screws 2	1 set
I-1901	Handle Set	1 set
I-1907	Motor and Switch Assembly	1
I-1908	Lock Latch	1
I-1909	Plate	1
I-1910	Rubber Plug	1
I-1911	Handle Set Screws (11)	1 set
I-1912	LED Light Assembly	1
2614	Complete Sheath Clamp Assembly (Includes: 1-pc. sheath clamp, 2651 screws, BH2019S screws and ES1406 sheath)	1
I-1914	Load Spring	1
DCB205	20-Volt Battery	1
DCB115	120-Volt Charger	1
ES1406	Sheath	1
I-1915	ORing	1
I-1916	Screw #8X1.00 Pan HD (3)	1 set